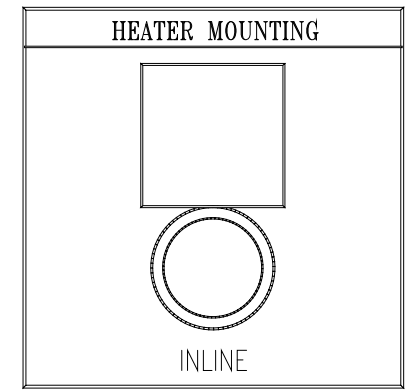
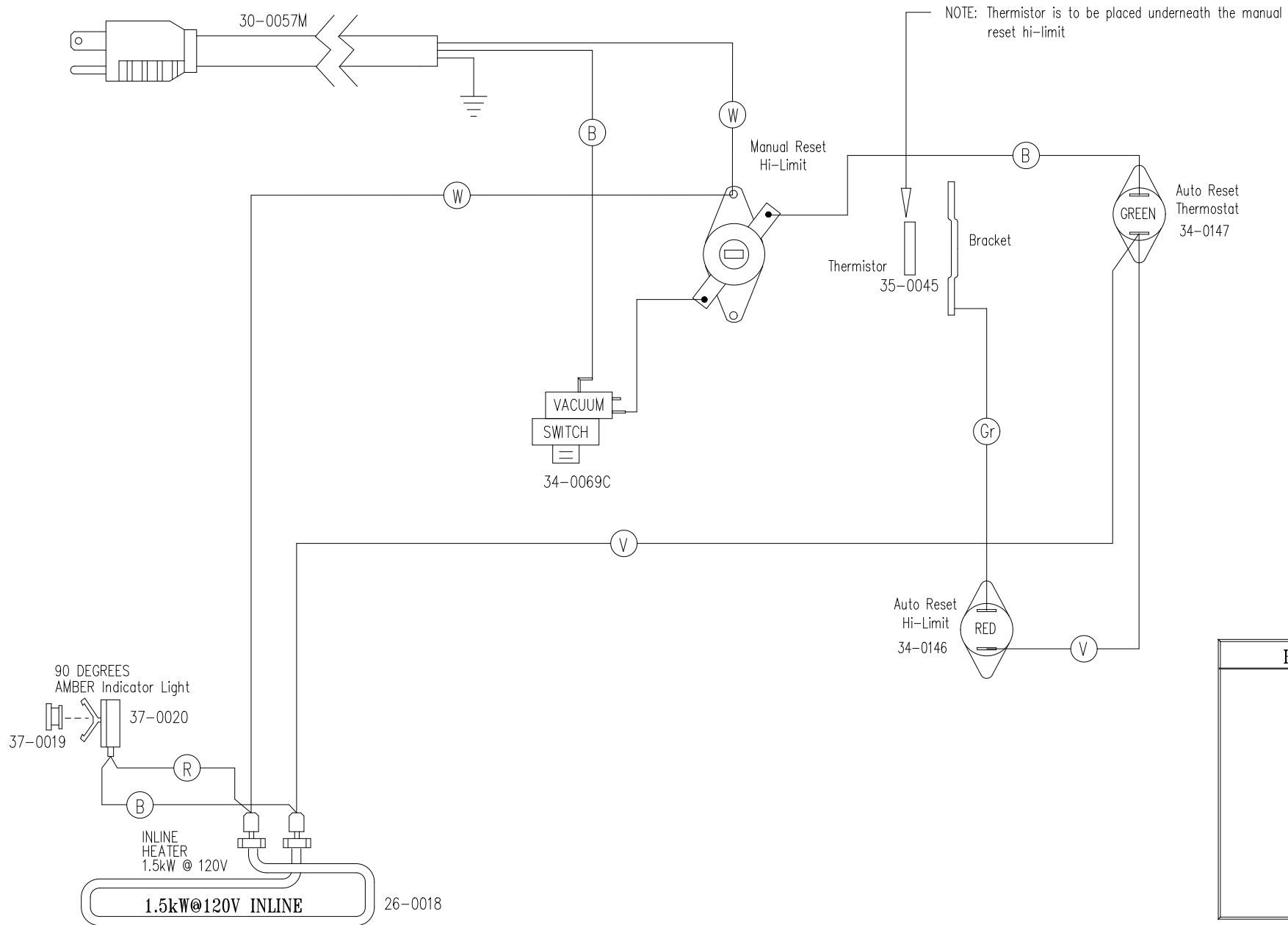


46" 15 AMP POWER CORD



HYDRO-QUIP
CORONA, CA (909) 273-7575

Manufacture Notes: HEATER TO BE MOUNTED ON SUCTION SIDE OF PUMP.

Dwg. No.
BF-12AB

Drawn
BRW

Rev
12

Reviewed By:

Date
7.18.01

Diagram No.
1215

Wire Color Code

B - Black	G - Green
Br - Brown	Bl - Blue
R - Red	V - Violet
O - Orange	W - White
Y - Yellow	Gr - Gray